

LARGE TABLET-ARM COMBINATION DESKS



Combination Chair Desk Specifications



Legacy™ Models:

- 925 15-1/2" Seat Height
- 927 17-1/2" Seat Height

Legacy™ Frame: All-tubular design, 1-1/4" diameter, 16-gauge tubing. 1", 16-gauge side brace is 360-degree arc-welded to both front and rear leg support and top support. A 1", 18-gauge side-arm is 360-degree arc-welded to back support and top support. A 1", 16-gauge back support is multiple arc-welded to the leg and top support. A 1-1/4", 16-gauge top support is arc-welded integrally with all tube parts for maximum structural integrity. Minimum 3-1/2 feet of total weld. Frame is chrome plated after all welding is complete. The frame shall be contoured to conform to the shape of the seat-back to accept uniform attachments.

Legacy™ Seat & Back: Only 5/8" thick posture contoured solid molded thermo-set plastic with smooth molded edges and permanent color throughout thickness shall be used. Seat size is at least 16" wide x 15-1/2" deep. Back size is at least 14" wide x 6-1/2" high on all chair heights. Both seat and back must be attached through punched holes on a contoured tubular frame using self-tapping screws into four uniformly drilled holes.

Legacy™ Seat & Back Attachments: Both seat and back are attached through punched holes in tubular frame using self-tapping screws into four uniformly drilled holes. Seats and backs shall be attached in four places each without the use of spacers, washers or noise reducers (attachment systems that create any noise without these devices are not acceptable).

Legacy™ Model:

- 937 17-1/2" Seat Height, with basket



Standard Chrome Finish: Chrome is comprised of metal layers (Nickel & Chromium) electrostatically bonded to metal. Our standard is 4-6 mills (25%-50% more than our competitors) of Nickel. Hard-Chrome will not scratch. CASS test per ASTM B 368 - 22 hours harsh tested before rust. Our product is chromed on plateable quality tubing after all welding is completed.

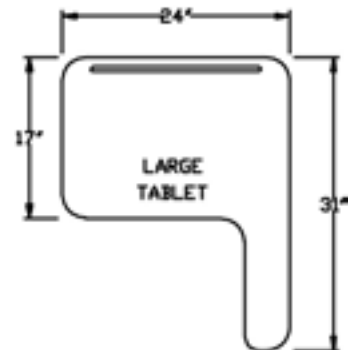
Glide System: Glide attachment will be a standard internal gripping spring steel umbrella at least 5/8" diameter or larger. The glide will have a ferrule. Glide casing and ferrule shall be constructed of durable case hardened steel; no plastic. The glide will be of full swivel design, silent and firm fitting for positive attachment and retention. All glides must make full level contact with the floor and the maximum swivel angle of the glide shall not be violated. Incorporating our exclusive glide button system available in either nylon, neoprene, steel, or wool felt bottom. Pick the right base for the floor surface. Snap on a new base for surface change or wear replacement.



Top: Solid molded thermoset plastic. 18" x 24" x 31" - 5/8" thick with smooth molded edges and permanent color throughout thickness. Pencil groove. Top is attached using self-tapping screws into seven uniformly drilled holes..

Warranty:

- Limited lifetime frame warranty
- Ten Year Comprehensive Warranty



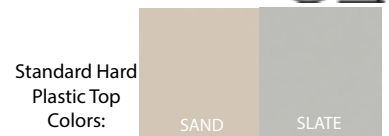
Seat Colors:



Standard HP Seat: Navy Standard HP Seat: Sand Standard HP Seat: Wine Standard HP Seat: Slate



Standard HP Seat: Hunter Standard HP Seat/Back: Black Standard HP Seat: Cranberry



Standard Hard Plastic Top Colors:

L a m i n a t e
T o p A v a i l a b l e
U p o n R e q u e s t